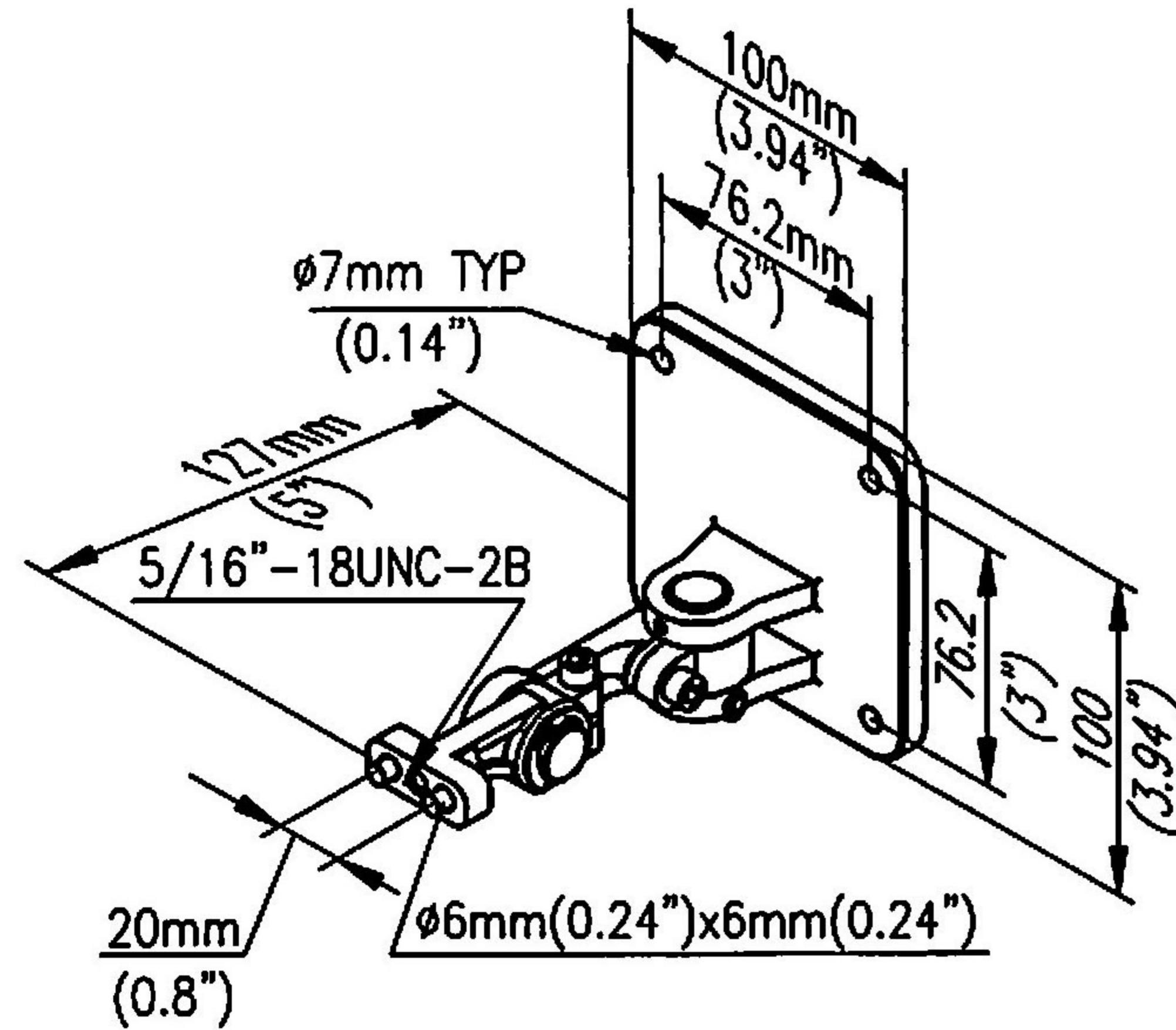


Material : St.St. 316L.
 Weight : (2.0Lb.) 0.9Kg.
 Model No. : 40/40-001.



A				20.06.11							
SYL	DESCRIPTION	DATE	APPROVAL	ITEM	QUAN	PART NO.	CAT. NO.	DESCRIPTION			
REVISIONS				PARTS LIST							
TOLERANCES				SCALE 1:1				DIMENSIONS ARE IN MM			
MM / DEGREES /				TRACED V.N. 21.10.07							
MATERIAL				DRAWN NELA 21.10.07				SURFACE TEXTURE AS PER ANSI-B46.1			
				CHECKED							
				SUBMITTED				SPECTREX INC. TILT MOUNT ASSY			
				APPROVED							
NEXT ASSY								SIZE B	DWG. NO. OL-777090	SHEET 1 of 1	