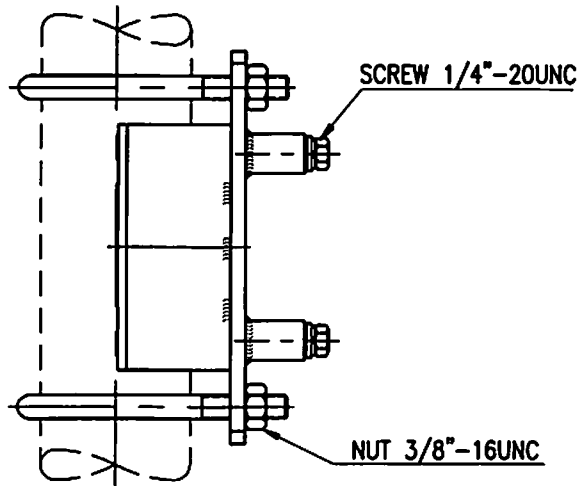
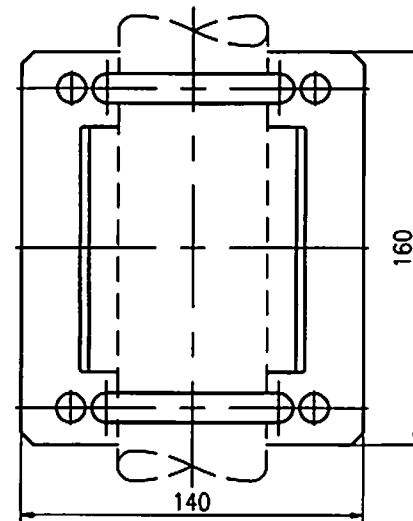


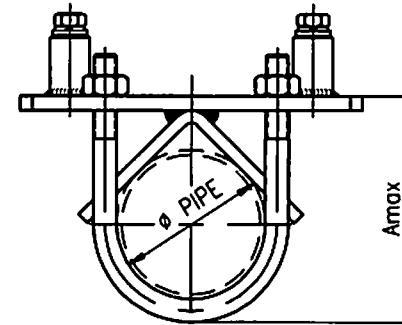
FRONT VIEW



SIDE VIEW



BACK VIEW



TOP VIEW

BRACKET ASSY PART NO.	Amax	Ø PIPE
789260-1	128	90±0.5 (3")
789260-2	93	61±0.5 (2")

E		13.11.11	
D		18.09.11	
C		15.09.11	
B		14.09.11	
A		11.09.11	

SYN	DESCRIPTION	DATE	APPROVAL	ITEM	QTY	PART NO.	CAT. NO.	DESCRIPTION
-----	-------------	------	----------	------	-----	----------	----------	-------------

REVISIONS				PARTS LIST				
-----------	--	--	--	------------	--	--	--	--

TOLERANCES		SCALE 1:2	
MM /	DEGREES /	TRACED	M.V. 05.11.07.
MATERIAL		DRAWN	NELA 01.05.08.
		CHECKED	
		SUBMITTED	
		APPROVED	
NEXT ASSY			

DIMENSIONS ARE IN MM
SURFACE TEXTURE AS PER ANSI-B46.1

SPECTREX INC.

BRACKET ASSY FOR PIPE

SIZE B DWG. NO. OL-789260 SHEET 1 OF 1