

SharpEye™

Model FS-1300

Single IR Flame Simulator

User Guide



6021 Innovation Blvd, Shakopee, MN 55379, USA

Phone: +1 (973) 239 8398

Website: www.spectrex.net Email: spectrex.csc.rmtna@emerson.com

Legal Notice

The SPECTREX SharpEye Flame Simulator described in this document is the property of Rosemount.

No part of the hardware, software or documentation may be reproduced, transmitted, transcribed, stored in a retrieval system or translated into any language or computer language, in any form or by any means, without prior written permission of Rosemount.

While great efforts have been made to assure the accuracy and clarity of this document, Rosemount assumes no liability resulting from any omissions in this document, or from misuse of the information obtained herein. The information in this document has been carefully checked and is believed to be entirely reliable with all of the necessary information included. Rosemount reserves the right to make changes to any products described herein to improve reliability, function, or design, and reserves the right to revise this document and make changes from time to time in content hereof with no obligation to notify any persons of revisions or changes. Rosemount does not assume any liability arising out of the application or any use of any product or circuit described herein; neither does it convey license under its patent rights or the rights of others.

Warranty

SPECTREX agrees to extend to Purchaser/Distributor a warranty on the SPECTREX supplied components of the SharpEye products. SPECTREX warrants to Purchaser/Distributor that the products are free from defects in materials and workmanship for a base period of two (2) years for the Flame Simulator, twelve (12) months for the battery and six (6) months for the charger, commencing with the date of delivery to Purchaser/Distributor. SPECTREX expressly excludes damage incurred in transit from the factory or other damage due to abuse, misuse, improper installation, or lack of maintenance or "Act of God" which are above and beyond its control. SPECTREX will, upon receipt of any defective product, transportation prepaid, repair or replace it at its sole discretion if found to have been defective when shipped. Said repair or replacement is SPECTREX'S sole liability under this warranty and SPECTREX'S liability shall be limited to repair or replacement of the component found defective and shall not include any liability for consequential or other damages. The customer is responsible for all freight charges and taxes due on shipments both ways. This warranty is exclusive of all other warranties express or implied.

TM380202 Rev. (Ad), September 2020

Table of Contents

Table of Contents	v
List of Figures	vii
List of Tables.....	vii
1 About this Guide	9
1.1 Release History.....	9
1.2 Glossary and Abbreviations	10
2 Product Overview	13
2.1 Flame Simulator Compatibility with Flame Detector Models	13
2.2 Features and Benefits	13
2.3 Principles of Operation	14
2.4 Product Certification	15
2.4.1 ATEX, IECEx.....	15
2.4.2 cCSAus.....	15
2.4.3 TR CU/EAC.....	15
2.5 Simulator Structure.....	16
2.6 Certification Instructions	18
2.6.1 General Instructions.....	18
2.6.2 Specific Conditions of Use	19
3 Operation Instructions	20
3.1 Ordering Information.....	20
3.2 Unpacking.....	20
3.3 Operating Instructions	21
3.4 Simulator Status	21
3.4.1 Normal Status	21
3.4.2 Fault Status	21
3.5 Detection Ranges.....	21
3.6 Charging the Battery	23
3.7 Maintenance.....	24
3.8 Troubleshooting	25
3.9 Technical Specifications	25
3.9.1 General Specifications	25
3.9.2 Electrical Specifications.....	25
3.9.3 Physical Specifications	25

3.9.4	RoHS Directive	26
3.9.5	EMI Compatibility	26
Technical Support		32

List of Figures

Figure 1: Flame Simulator Side View	16
Figure 2: Flame Simulator Rear View	17
Figure 3: Flame Simulator Front View	17
Figure 4: Flame Simulator Battery Replacement	24

List of Tables

Table 1: Detection Ranges per Detector/Flame Simulator	21
--	----

1 About this Guide

This guide describes the SharpEye Flame Simulator and its features, and provides instructions on how to operate and maintain the simulator.

1.1 Release History

Rev	Date	Revision History	Prepared by	Approved by
0	March 2016	First Release	Ian Buchanan	Eric Zinn
1	April 2016	Second Release	Ian Buchanan	Eric Zinn
2	May 2016	Third Release	Ian Buchanan	Eric Zinn
3	May 2016	Fourth Release	Ian Buchanan	Eric Zinn
4	July 2016	Fifth Release	Ian Buchanan	Eric Zinn
5	January 2017	Sixth Release	Jay Cooley	Ian Buchanan
6	February 2017	Seventh Release	Jay Cooley	Ian Buchanan
7	February 2017	Eighth Release	Jay Cooley	Ian Buchanan
8	April 2017	Ninth Release	Jay Cooley	Shaul Serero
Aa	August 2017	Tenth Release	Jay Cooley	Shaul Serero
Ab	March 2018	Eleventh Release	Michal Heller	Udi Tzuri
Ac	December 2019	Twelfth Release	Michal Heller	Udi Tzuri
Ad	September 2020	Thirteenth Release	Michal Heller	Udi Tzuri

1.2 Glossary and Abbreviations

Abbreviation/Term	Meaning
Analog Video	Video values are represented by a scaled signal
ATEX	Atmosphere Explosives
AWG	American Wire Gauge
BIT	Built-In-Test
CMOS	Complementary Metal-Oxide Semiconductor image sensor
Digital Video	Each component is represented by a number representing a discrete quantization
DSP	Digital Signal Processing
EMC	Electromagnetic Compatibility
EMI	Electromagnetic Interference
EOL	End of Line
FOV	Field of View
HART	Highway Addressable Remote Transducer – communications protocol
IAD	Immune at Any Distance
IECEX	International Electro-Technical Commission Explosion
IP	Internet Protocol
IPA	Isopropyl Alcohol
IR	Infrared
IR3	Refers to the 3 IR sensors
JP5	Jet Fuel
LED	Light Emitting Diode
MODBUS	Serial communications protocol using Master-Slave messaging
N/A	Not Applicable
N.C.	Normally Closed
NFPA	National Fire Protection Association
N.O.	Normally Open
NPT	National Pipe Thread
P/N	Part Number
RFI	Radio Frequency Interference
RTSP	Real Time Streaming Protocol
SIL	Safety Integrity Level

Abbreviation/Term	Meaning
UNC	Unified Coarse Thread
VAC	Volts Alternating Current

2 Product Overview

To comply with local standards and jurisdictional authorities, "end-to-end" loop testing of fire protection alarm systems, including detectors, should be performed periodically. Many safety authorities and plant managers of high-value/high-risk assets and facilities insist on quarterly "end-to-end" testing of their entire fire protection systems using an external flame simulator.

SPECTREX flame simulators emit electromagnetic radiation in a unique sequential pattern corresponding to and recognizable as fire by specific SharpEye Flame Detector models. This allows for testing under real fire conditions without the associated risks of an open flame. SPECTREX flame simulators are ATEX certified EExd for use in hazardous zones 1, 2, 21, and 22, and are powered by rechargeable lithium-ion batteries. When fully charged, the flame simulator operates for at least 1,000 tests without recharging.

The SPECTREX flame simulator is the only non-hazardous and safe method to test the flame detector's sensors, internal electronics, alarm activation software, cleanliness of the viewing window/lens, wiring integrity, actual relay activation, and proper functionality of any other outputs used (mA, RS-485, HART).



Warning:

The Simulator is not field-repairable due to the meticulous alignment and calibration of the sensors and the respective circuits. Do not attempt to modify or repair the internal circuits or change their settings, as this will impair the system's performance and void the SPECTREX product warranty.

2.1 Flame Simulator Compatibility with Flame Detector Models

The FS-1300 Flame Simulator is compatible with several detector types:

Simulator	P/N	Compatible with:
Single IR Flame Simulator	FS-1300	40/40R

2.2 Features and Benefits

- Used for maintenance and testing of flame detectors
- Ability to activate the flame detector from a distance of up to 1.2m
- Rechargeable battery included

- Operates at least 1,000 tests before battery recharge is necessary

2.3 Principles of Operation

The **FS-1300** includes a halogen lamp that emits UV and IR energy. This energy is accumulated by a reflector and directed towards the detector.

The **FS-1300** does not include a laser diode. It includes only a mechanical sight, as the user can see the spot from the simulator and should aim the spot toward the center of the detector.

2.4 Product Certification

The Flame Simulator has the following certifications:

- ATEX, IECEx, page 15
- cCSAus, page 15
- TR CU/EAC, page 15

2.4.1 ATEX, IECEx

Ex II 2 G D

Ex db ib IIB+H2 T4 Gb

Ex ib tb IIIC T135°C Db

-4°F to +122°F / -20°C to +50°C

2.4.2 cCSAus

Class I, Zone 1, AEx db ib op is IIB+H2 T4 Gb

-20°C ≤ Ta ≤ +50°C

2.4.3 TR CU/EAC

1Ex db ib op is IIB+H2 T5 Gb X

-20°C ≤ Ta ≤ +50°C

This product is suitable for use in hazardous zones 1 and 2 with IIB + H2 gas group vapor present.

2.5 Simulator Structure

The flame simulator has a black-coated aluminum ex-proof enclosure. It includes the following components:

- Reflector
- Electronic compartment
- Battery compartment
- Handgrip

The electronic compartment includes the internal optical and electronic parts of the device.

The battery compartment includes a battery pack containing 4 lithium-ion batteries, measuring a total of 14.8VDC and 2.6Ah.

To charge or replace the battery pack, follow the instructions in section 2.1 on page 13.



Figure 1: Flame Simulator Side View

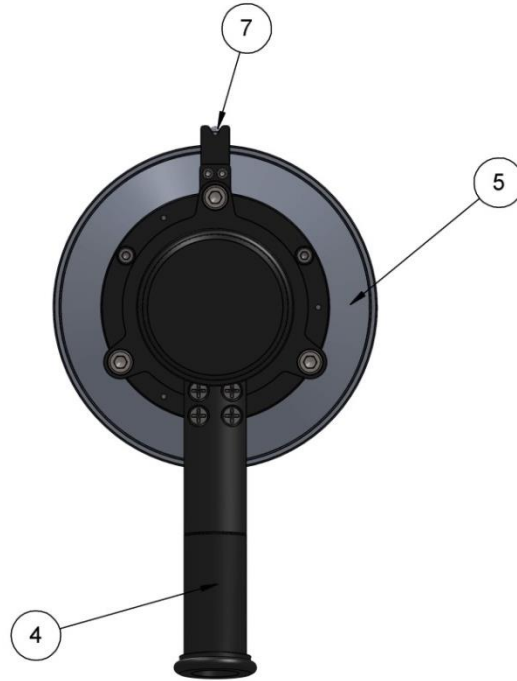


Figure 2: Flame Simulator Rear View

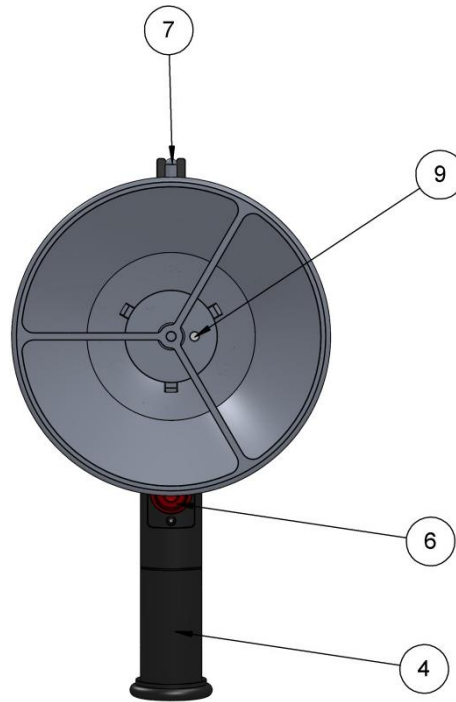


Figure 3: Flame Simulator Front View

1	Electronic Compartment	6	Push Button
2	Battery Compartment	7	Sight
3	Battery Back Cover	8	Back Cover Locking Screw
4	Handgrip	9	Laser Diode
5	Reflector		

2.6 Certification Instructions

2.6.1 General Instructions

- The equipment marking is defined as follows:
Ex II 2 G D
Ex db ib IIB+H2 T4 Gb
Ex ib tb IIIC T135°C Db
-4°F to +122°F / -20°C to +50°C
- The equipment may be used with flammable gasses and vapors with apparatus groups IIA and IIB+H2 T4 in the ambient temperature range of -4°F to +122°F / -20°C to +50°C.
- Inspection and maintenance of this equipment should be performed by suitable trained personnel, in accordance with the applicable code of practice e.g. EN 60079-17.
- Repair of this equipment should be performed by suitable trained personnel, in accordance with the applicable code of practice e.g. EN 60079-19.
- Certification of this equipment relies upon use of the following materials in its construction:
 - Enclosure: Aluminum 6061T6
 - Window: Sapphire glass
 - Seals: EPDM
- If the equipment is likely to come into contact with aggressive substances (described below), then it is the responsibility of the user to take suitable precautions (described below) to prevent the equipment from being adversely affected. This ensures that the type of protection provided by the equipment is not compromised.
 - Examples of aggressive substances: acidic liquids or gases that may attack metals or solvents, or may affect polymeric materials.
 - Examples of suitable precautions: routine inspections, establishing resistance to specific chemicals from the material's data sheets.

2.6.2 Specific Conditions of Use

- The dimensions of the flameproof joints are other than the relevant minimum or maximum values required by Table 3 of IEC/EN 60079-1:2014 for IIB + H2, as detailed below:

Flamepath Description	Type of Joint	Minimum Width "L" (mm)	Maximum Gap "ic" (mm)
Joint formed by window against the enclosure	Flanged	10.75	0.02
Enclosure end-cap spigot	Cylindrical	15	0.08

Gaps should not be machined to be any larger than the values of "ic," and width should not be modified to be any smaller than the values of "L," as shown in the table above.

- The equipment should only be charged in a safe area. Batteries must be removed from the flameproof enclosure. The charge conditions are as follows:
 - Maximum charge voltage: 16.8V
 - Maximum charge current: 4A

The charge voltage and current should not exceed these values.

3 Operation Instructions

3.1 Ordering Information

The P/N of the Flame Simulator Kit is 380114-3.

The kit is supplied in a carry case that includes:

- Flame Simulator FS-1300
- Charger
- Tool Kit
- Technical Manual TM380202

3.2 Unpacking

Verify that you have received the following components:

- Delivery form
- Flame simulator with integral battery
- Battery charger
- Tool keys
- User manual
- FAT forms
- EC declaration
- Storage case



Note:

The FS shall be stored in a suitable suitcase to prevent possible damage during handling



Warning:

Do not open when an explosive atmosphere is present. Use only replaceable battery pack P.N. 380015

3.3 Operating Instructions

- 1 Verify you are using the correct simulator that fits the tested detector, per section 2.1: Flame Simulator Compatibility with Flame Detector Models on page 13.
- 2 Verify you are at the correct distance from the detector according to the type of detector and the detector sensitivity (see Simulator Status on page 21).
- 3 Using the mechanical sight, aim the flame simulator toward the center of the detector.
- 4 Push the activate button; direct the laser spot toward the center of the detector.
- 5 Once the trigger is pressed, with an initial 2 seconds delay, the equipment will operate for a maximum period of 60 seconds, following which the equipment cannot be operated for a minimum period of 30 seconds.

3.4 Simulator Status

During the first 5 seconds of operation, the laser defines the simulator's status.

3.4.1 Normal Status

When switching to normal status, the laser beams for 5 seconds before IR radiation is activated. These 5 seconds are used to aim the simulator to the center of the detector before activating IR radiation. IR radiation is then activated for 60 seconds. After 60 seconds, IR radiation stops and the simulator cannot operate for 20 seconds (delay between activations).

3.4.2 Fault Status

- **Low Battery** – The laser flashes 3 times in 3 consecutive cycles. IR radiation will be activated.
- **IR Fault** – The laser flashes 3 times in 5 consecutive cycles. IR radiation will not be activated.
- **Total Failure** – The laser does not turn on. IR radiation will not be activated.

3.5 Detection Ranges

Table 1: Detection Ranges per Detector/Flame Simulator

Model	Detector Types	Detector Sensitivity Setting (ft/m)	Testing Distance (ft/m)
FS-1300	40/40R	50/15	4/1.2



Notes:

- The minimum distance from the detector is 30"/75cm.
 - At extreme temperatures there is a 15% reduction in the testing range.
-



Caution:

Keep the flame simulator in a safe place when not in use.

3.6 Charging the Battery

The flame simulator uses lithium-ion batteries as a rechargeable power source. When the batteries are fully charged, the simulator operates at least 1,000 times without recharging. When the voltage from the batteries is lower than the required operational level, the simulator will not operate.

- **To charge the battery:**

- 1 Place the flame simulator on a table in a safe area, not exceeding 104°F/40°C.
- 2 Release the locking screw (Figure 1, Item 8).
- 3 Unscrew the battery compartment cover counterclockwise (Figure 1 and Figure 4, Item 3).
- 4 Unscrew the locking disc clockwise using 1.5mm hex key (Figure 4, Item 4).
- 5 Pull out the battery from the flame simulator (Figure 4, Item 2).



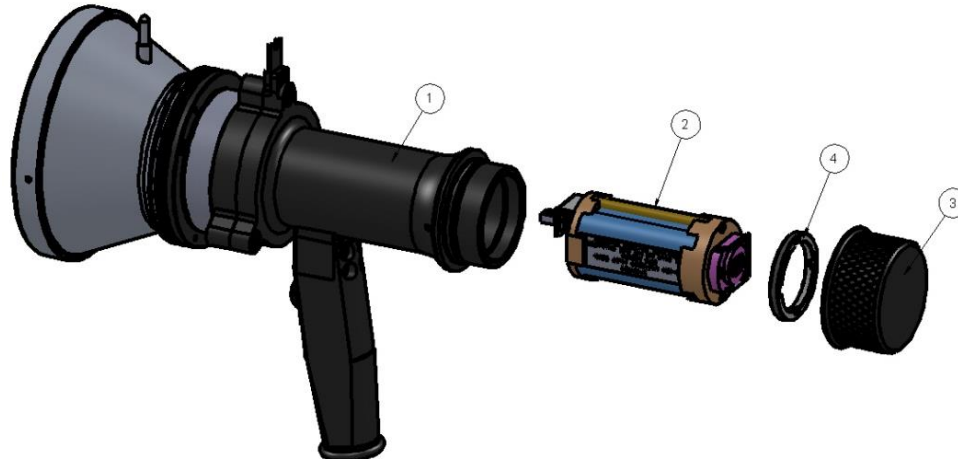
Warning:

The battery must be charged only after being removed from the flame simulator.

- 6 Connect the battery to the charger. Verify that the charger is supplied with the flame simulator model.
- 7 Charge for a maximum of 2–3 hours.
- 8 Disconnect the charger.
- 9 Insert the battery into the flame simulator (Figure 4, Item 2). The LED will flash twice to indicate that the battery is fully charged.
- 10 Screw on the locking disc using 1.5mm hex key (Figure 4, Item 4).
- 11 Screw on the battery compartment cover (Figure 1 and Figure 4, Item 3).
- 12 Lock the back cover with the locking screw (Figure 1, Item 8).

- **To replace the battery:**

- 1 To remove the battery, follow steps 1-4 in "**To Charge the Battery**" section.
- 2 Insert the new battery pack in the simulator housing. Use only a SPECTREX battery pack, P/N 380004.
- 3 Follow steps 9-11 in "**To Charge the Battery**" section.



1	Simulator
2	Battery Pack
3	Battery Compartment Cover
4	Locking Disc

Figure 4: Flame Simulator Battery Replacement

3.7 Maintenance

- Ensure the flame simulator is charged before operation.
- Ensure the reflector and window are clean.
- Before replacing the battery, check that you have a SPECTREX Battery Pack, P/N 380004.
- When the simulator is not in use, remove the battery pack and recharge every 6 months.
- The typical Li-on battery lifetime is 2-3 years under normal conditions.

3.8 Troubleshooting

Model	Problem	Solution
FS-1300	LED flashes 3 times in 3 consecutive cycles	1. Recharge the battery.
	LED flashes 3 times in 5 consecutive cycles	2. Disconnect and reconnect the battery. Operate the flame simulator again.
	LED does not turn on	3. Recharge the battery. 4. Replace the battery.
	Flame simulator seems to work properly but does not activate the detector	5. Verify that you are aiming the flame simulator beam to the center of the flame detector 6. Verify that you are at the correct distance. 7. Verify that the flame detector is at the correct sensitivity. 8. Verify that the flame detector is operating. 9. Verify that the flame detector window is clean.

3.9 Technical Specifications

3.9.1 General Specifications

- Operating Temperature: +4°F to +122°F / -20°C to +50°C
- Vibration Protection: 1g (10–50Hz)

3.9.2 Electrical Specifications

- Rechargeable four cell lithium-ion battery:
 - Power: 14.8V (4 x 3.7V), max current 0.2A
 - Charging: 16.8V (4 x 4.2V), max current 4A
- Battery Capacity: 2.6Ah
- Charging Time: 2hr at 2A

3.9.3 Physical Specifications

- Dimensions: 9" x 7.3" x 5.35" / 230 x 185 x 136 mm
- Weight: 5.5lb/2.5kg

- Enclosure: Aluminum, heavy duty copper free, black zinc coating.

- Explosion proof enclosure:
 ATEX and IECEx
 Ex II 2 G D
 Ex db ib IIB+H2 T4 Gb
 Ex ib tb IIIC T135°C Db
 -4°F to +122°F / -20°C to +50°C

 cCSAus
 Class I, Zone 1, AEx db ib op is IIB+H2 T4 Gb
 -20°C ≤ Ta ≤ +50°C

 TR CU/EAC
 1Ex db ib op is IIB+H2 T5 Gb X
 -20°C ≤ Ta ≤ +50°C
- Water and dust tight: IP65

3.9.4 RoHS Directive

The Flame Simulator is compliant with RoHS directive 2011/65/EU, 2015/863

3.9.5 EMI Compatibility

Immunity Tests		
Title	Basic Standard	Level to be tested
Electrostatic Discharge (ESD)	IEC 61000-4-2	6kV/8kV contact/air
Radiated Electromagnetic Field	IEC 61000-4-3	20V/m (80MHz-1GHz) 10V/m (1.4-2GHz) 3V/m (2.0-2.7GHz)
Conducted Disturbances	IEC 61000-4-6	10 Vrms (150kHz-80MHz)
Immunity to Main Supply Voltage Variations	MIL-STD-1275B	

Emission Tests			
Title	Basic Standard	Level to be Tested	Class

Radiated Emission	IEC 61000-6-3	40dbuv/m (30–230MHz), 47dbuv/m (230MHz–1GHz)	Like Class B of EN 55022
-------------------	---------------	---	-----------------------------

Technical Support

For technical assistance or support, contact:



6021 Innovation Blvd,
Shakopee, MN 55379
USA

Phone: +1 (973) 239 8398

Email: spectrex.csc.rmtna@emerson.com

Website: www.spectrex.net