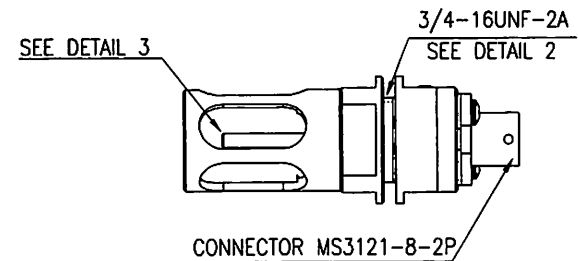
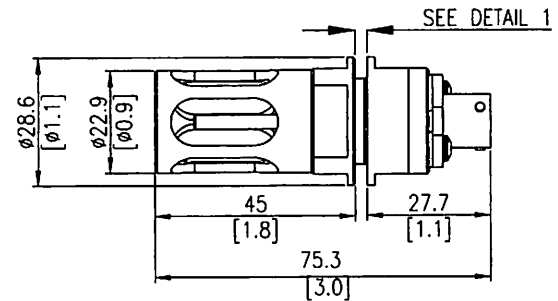
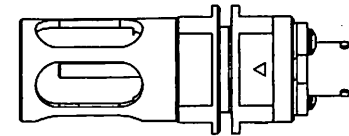


# INSTALLATION DETAILS:

1. MOUNTING PANEL THICKNESS: 1.6 (0.062') MIN-12.7 (0.500') MAX.
2. MOUNTING HOLE SIZE: 19 (0.7500') MIN-21 (0.8215') MAX.
3. BLACK PROBE COVER TO BE REMOVED AFTER FINAL VEHICLE PREPARATION.



WEIGHT: 0.05Kg (0.11lb)

B		10.03.14	
A		05.03.14	

SYH	DESCRIPTION	DATE	APPROVAL	ITEM	QUAN	PART NO.	CAT. NO.	DESCRIPTION	
REVISIONS				PARTS LIST					
TOLERANCES		SCALE 1:1		DIMENSIONS ARE IN MM		SPECTREX INC.			
MM ± 1	DEGREES /	TRACED	MICHA	26.02.14	SURFACE TEXTURE AS PER ANSI-B46.1				SPOT HEAT DETECTOR
MATERIAL		DRAWN	ELENA	26.02.14	SUBMITTED		SIZE B	DWG. NO. OL-710198	
NEXT ASSY		APPROVED							