

SharpEye™

40/40 Duct Mount

P/N 777670

Installation Instructions



Document ref: TM-F-4040Duct, Rev (-) January 2012



Spectrex Headquarters: 218 Little Falls Road | Cedar Grove | NJ 07009 | USA
Tel: +1 (973) 239-8398 | +1 (800) 452-2107 (US only) | Fax: +1 (973) 239-7614
Houston: +1 (832) 321-5229 | Europe: +44 (141) 578-0693
E-mail: spectrex@spectrex.net | Website: www.spectrex.net



Legal Notice

The SharpEye Optical Flame Detector described in this document is the property of Spectrex, Inc.

No part of the hardware, software or documentation may be reproduced, transmitted, transcribed, stored in a retrieval system or translated into any language or computer language, in any form or by any means, without prior written permission of Spectrex, Inc.

While great efforts have been made to assure the accuracy and clarity of this document, Spectrex, Inc. assumes no liability resulting from any omissions in this document, or from misuse of the information obtained herein. The information in this document has been carefully checked and is believed to be entirely reliable with all of the necessary information included. Spectrex Inc. reserves the right to make changes to any products described herein to improve reliability, function, or design, and reserves the right to revise this document and make changes from time to time in content hereof with no obligation to notify any persons of revisions or changes. Spectrex, Inc. does not assume any liability arising out of the application or any use of any product or circuit described herein; neither does it convey license under its patent rights or the rights of others



Warning: This manual should be read carefully by all individuals who have or will have responsibility for using, maintaining or servicing the product.

The Detector is not field-repairable due to the meticulous alignment and calibration of the sensors and the respective circuits. Do not attempt to modify or repair the internal circuits or change their settings, as this will impair the system's performance and void the Spectrex, Inc. Product warranty.

Warranty

SPECTREX INC. Agrees to extend to Purchaser/Distributor a warranty on the SPECTREX supplied components of the SharpEye products. SPECTREX warrants to Purchaser/Distributor that the products are free from defects in materials and workmanship for a period of five (5) years, commencing with the date of delivery to Purchaser/Distributor. SPECTREX expressly excludes damage incurred in transit from the factory or other damage due to abuse, misuse, improper installation, or lack of maintenance or "Act of God" which are above and beyond its control. SPECTREX will, upon receipt of any defective product, transportation prepaid, repair or replace it at its sole discretion if found to have been defective when shipped. Said repair or replacement is SPECTREX'S sole liability under this warranty and SPECTREX'S liability shall be limited to repair or replacement of the component found defective and shall not include any liability for consequential or other damages. The customer is responsible for all freight charges and taxes due on shipments both ways. This warranty is exclusive of all other warranties express or implied.

Release History

Rev	Date	Revision History	Prepared by	Approved by
0	January 2012	First Release	Ian Buchanan	Eric Zinn

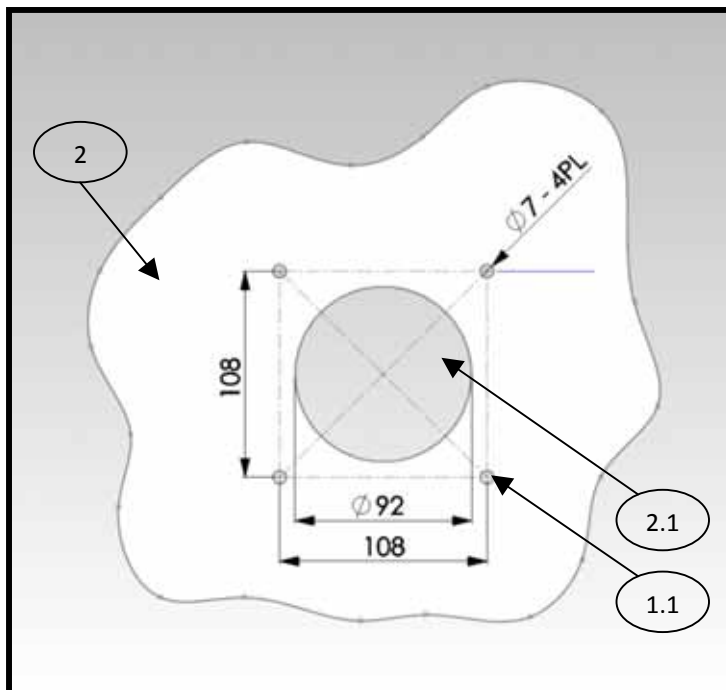
DUCT MOUNT INSTALLATION INSTRUCTIONS

1. Surface Preparation (Figure 1)

- a. Check the air duct installation surface (2) stability. It should be as near as possible to a riding girder connection in order to assure proper support to the mounting and to the unit. Also, the surface must be stable and free of vibrations.
- b. Locate the best installation surface for the detector so that the detector will have a full cone of vision to the protected area.

Drilling and cutting the duct according to instructions in figure 1.

Drill the duct hole (2.1) and the screw holes (1.1) carefully.



Description of Figure 1	
1.1	Screw Holes
2	Duct Installation Surface
2.1	Duct Hole

Figure 1 - Drilling Layout Dimensions for duct installation

2. Disassembly of the Duct Mount

Open nuts (5) and (8), and washers (4) and (7). Dismount item (1) internal plate and item (3) base plate (see figure 2 and 3).

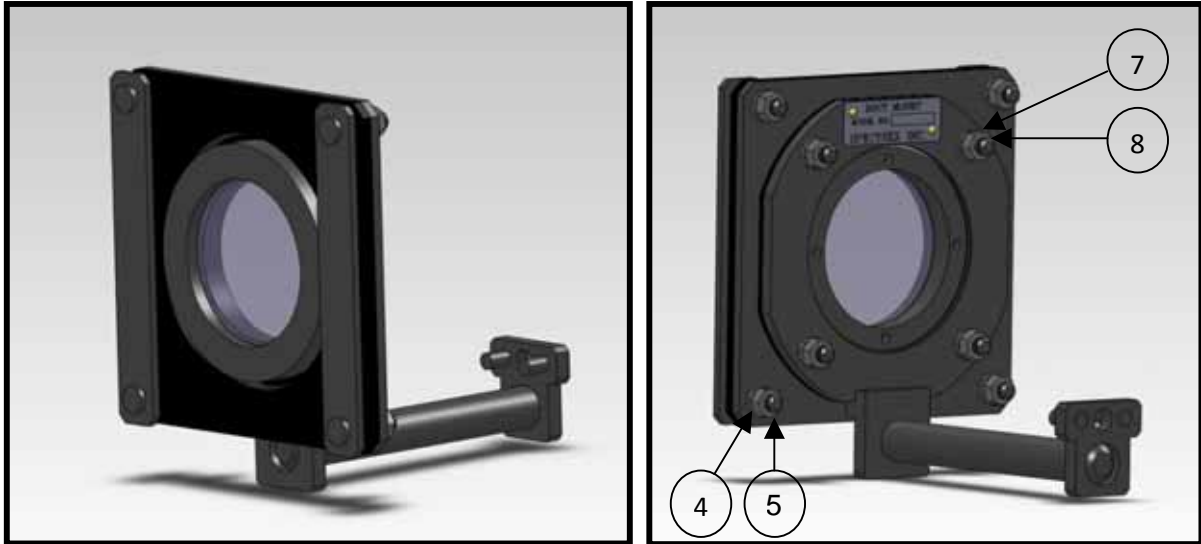


Figure 2 – Duct Mount Disassembly

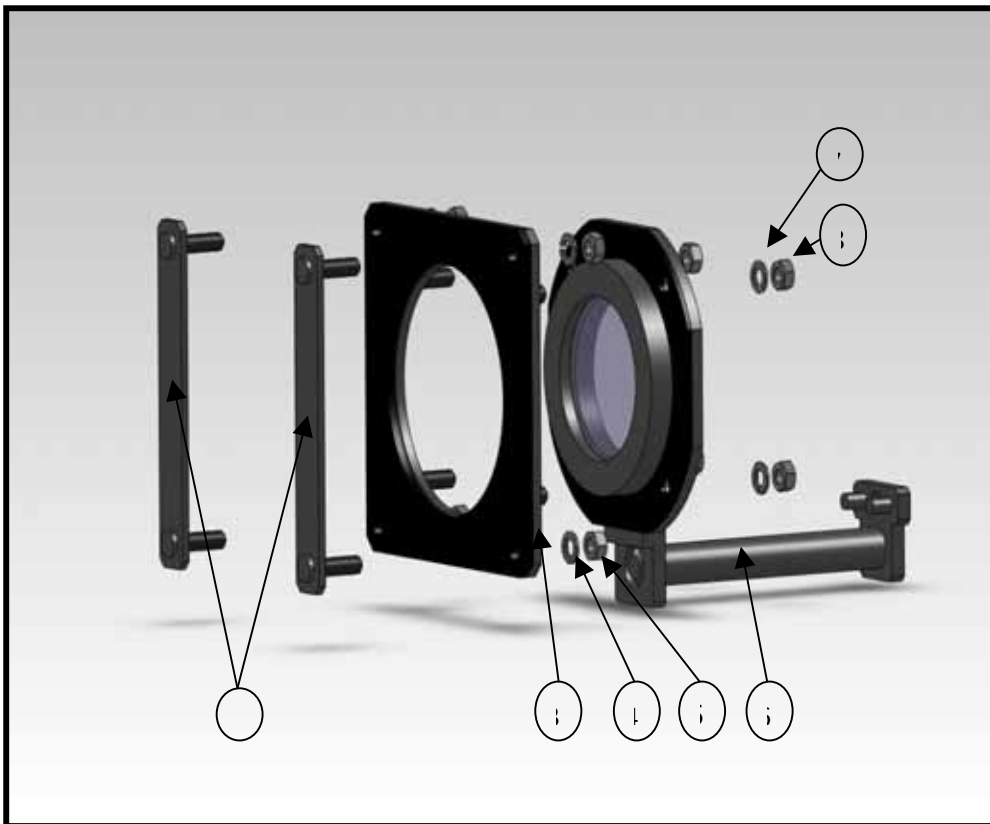


Figure 3 – Duct Mount Parts

Description of Figure 3	
1	2 Internal Plates
3	Base Plate
4	4 Spring Washers M6
5	4 Plate Nuts M6
6	Duct Mount Base
7	4 Spring Washers M6
8	4 Base Nuts M6

3. Mounting the Duct Mount (figure 4)

- a. Insert the first internal plate (1) through the air duct (2) hole (2.1). Hold it by hand and press the base plate (3) to the installation surface against the internal plate (at base plate (3) there is a gasket which is glued). The internal plate screws should be inserted into the gasket holes to prevent it from falling. Secure the base plate to the installation surface using four nuts (5) and washers (4). Then remove your hand and repeat the process for the second internal plate.
- b. Attach the duct mount base (6) to the base plate (3) and secure with washers (7) and nuts (8).
- c. The base plate (3) and duct mount (6) are now connected (see figure 5).

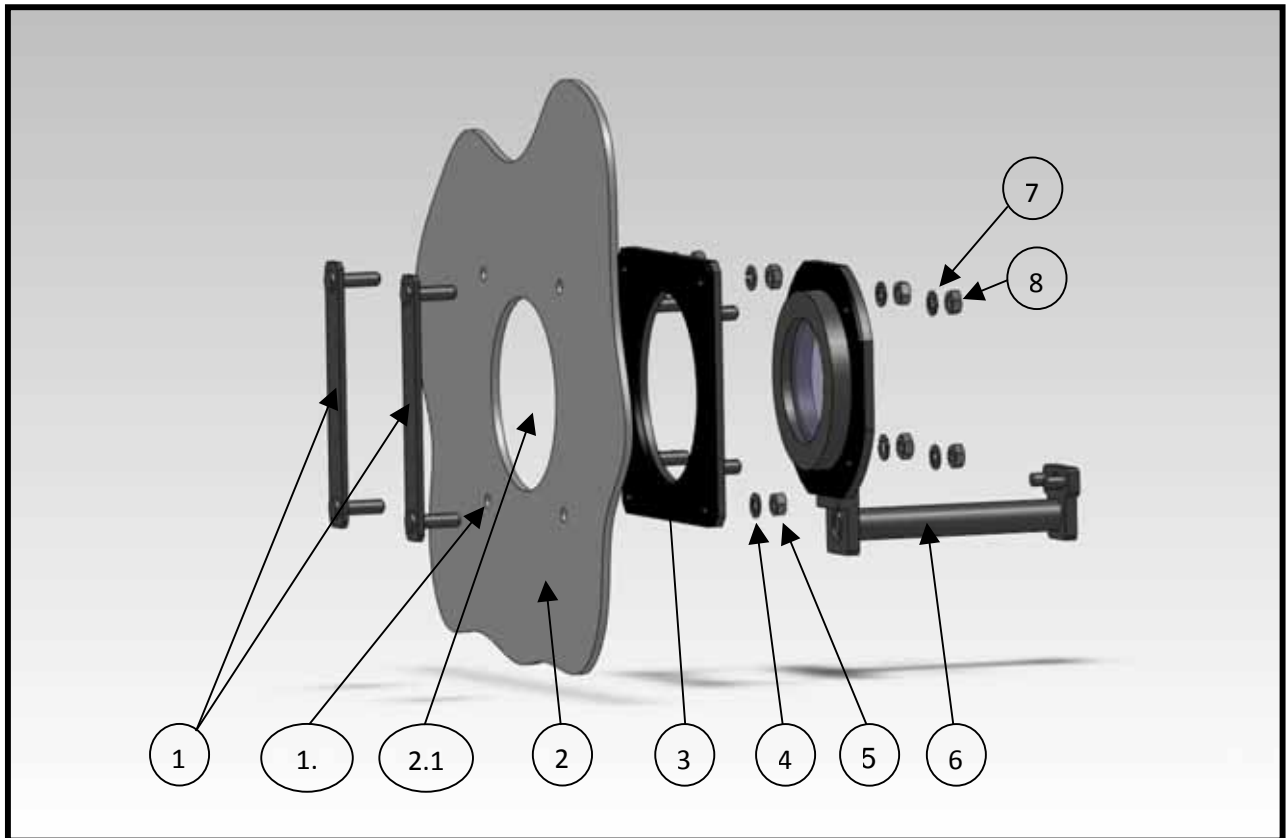


Figure 4 – Duct Mount Parts before Final Assembly

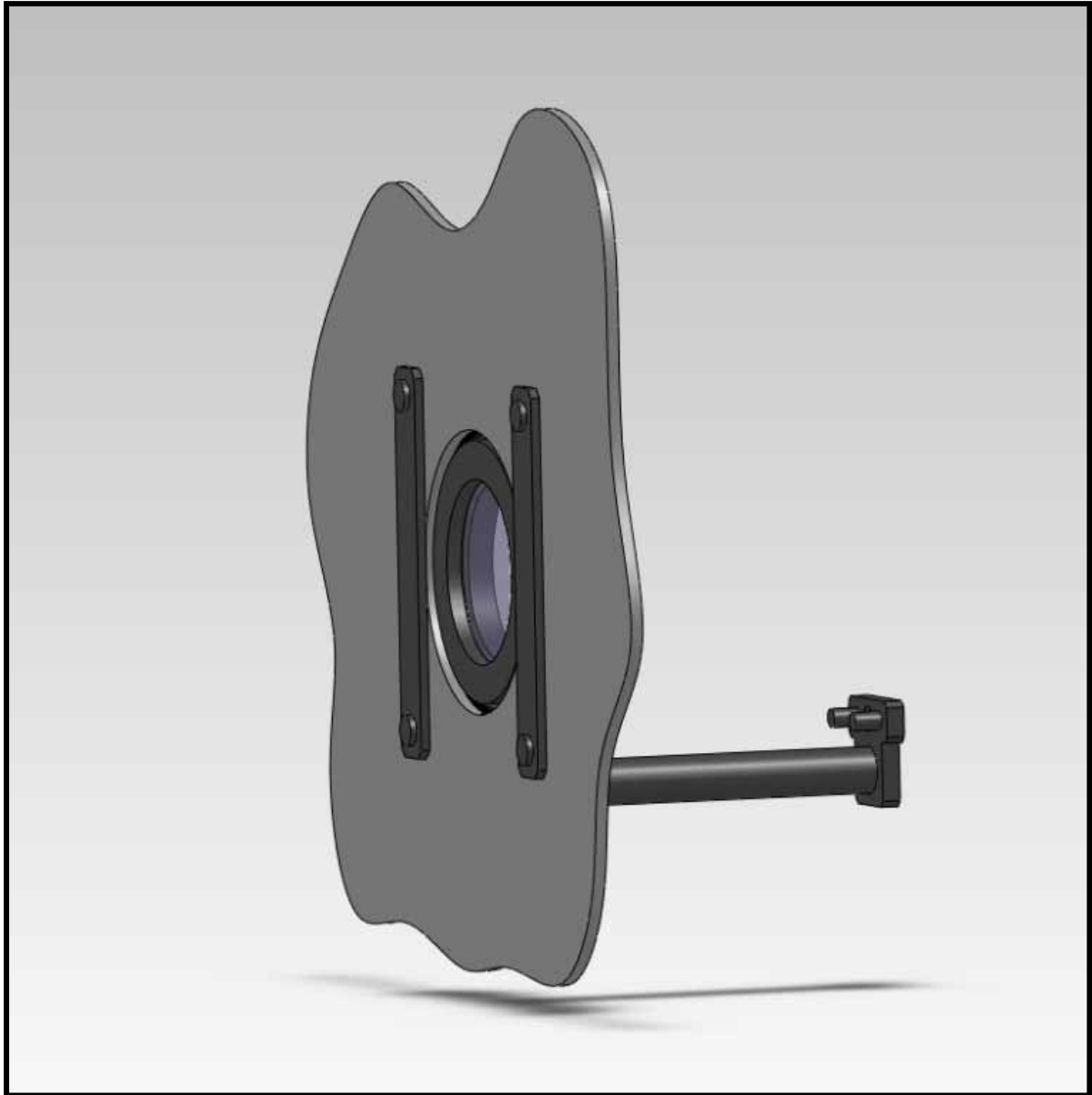


Figure 5 – Duct Mount Parts after Assembly

4. Mounting the Detector (figure 6)

Insert the detector (9) at pin (10) and secure it using a screw (11).

NOTE: Screw (11) is already mounted on the detector and should be removed and reinstalled facing the other direction.

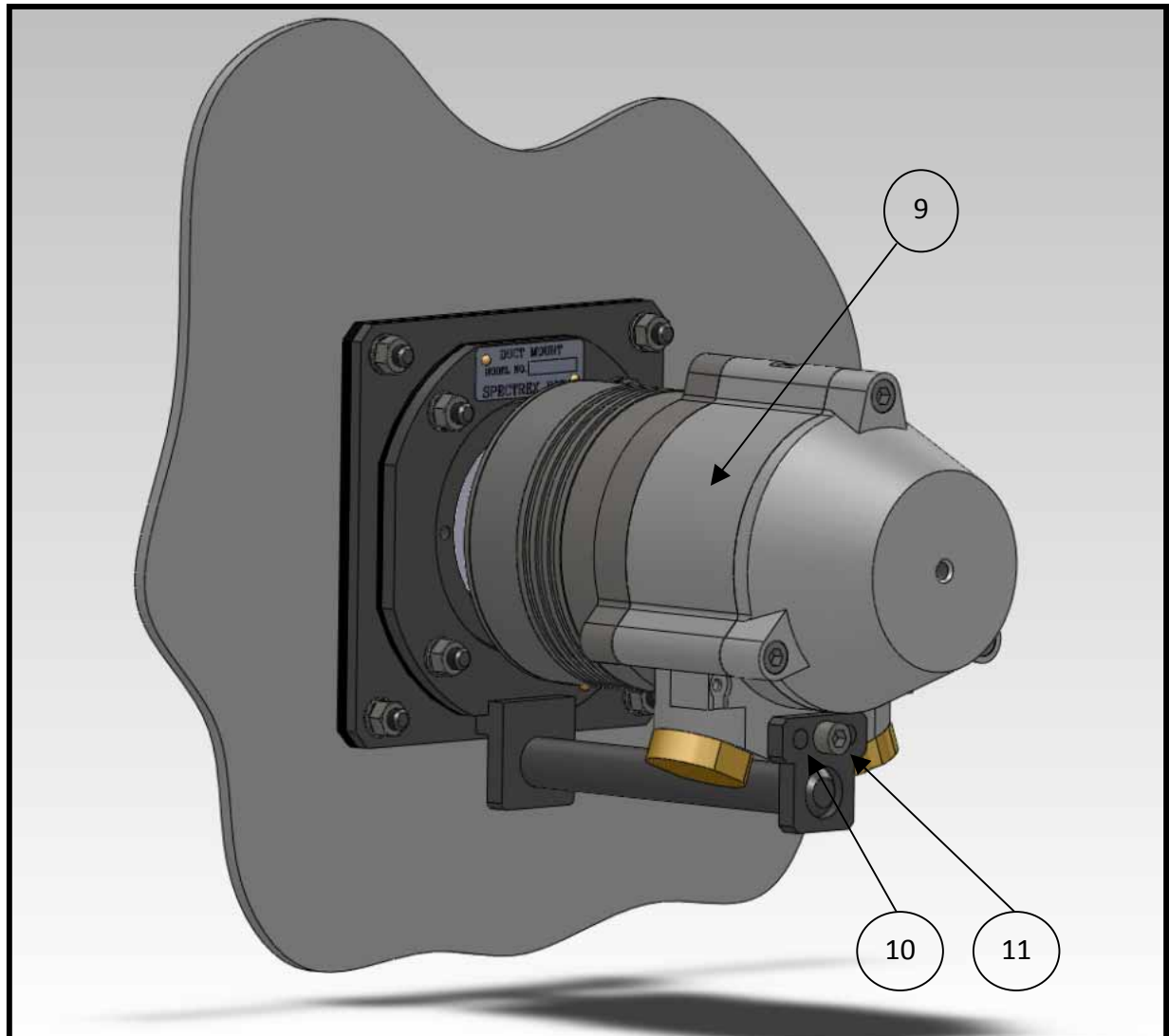


Figure 6 – Detector Mounted on a Duct Mount

Technical Support

For all technical assistance or support, contact:



218 Little Falls Road
Cedar Grove, NJ 07009, USA

Tel: +1 (973) 239 8398
Fax: +1 (973) 239 7614
Email: spectrex@spectrex.net
Web-site: www.spectrex.net

Your Local Office:

SPECTREX INC.

Texas (USA)

Mr. Jay Cooley, Regional Sales Manager
16203 Park Row, Suite 150
Houston, Texas 77084
USA
Phone: +1 (832) 321 5229
Email: jay@spectrex.net

Europe

Mr. Ian Buchanan, Regional Manager
6 Applecross Road
Glasgow G66 3TJ
United Kingdom
Phone: +44 (0) 141 578 0693
Email: ian@spectrex.net

Far East

Mr. Deryk Walker, Regional Sales Manager
59 Fen Ji Hu, Danshui
Taipei County 25163
Taiwan (ROC)
Phone: +886 2 8626 2893
Mobile: +886 926 664 232
Email: deryk@spectrex.net